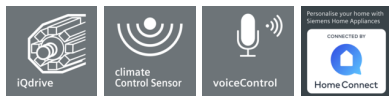


iQ700, Wall-mounted cooker hood, 90 cm, Stainless steel LC91BUV50B



A+



The wall mounted chimney hood features a very high extraction rate in a distinguished design that coordinates with a range of Siemens appliances, as well as your kitchen.

- ✓ The quiet high-performance motor: ensures efficient odour and steam removal.
- ✓ cookConnect and climateControl sensor: detects and removes steam and odours automatically
- ✓ Easily control the system with your voice - voiceControl
- ✓ Access and control your hood, no matter where you are - Home Connect App (Android and iOS)
- ✓ Control your system using the Home Connect App - remoteControl.

Features

Technical Data

Typology : Chimney
 Approval certificates : CE, VDE
 Length of electrical supply cord (cm) : 130
 Height of the chimney (mm) : 582-908/568-1018
 Height of product, without chimney (mm) : 46
 Minimum distance above an electric hob : 550
 Minimum distance above a gas hob : 650
 Net weight (kg) : 19.957
 Type of control : Electronic
 Number of speed settings : 3-stage + 2 intensive
 Maximum output air extraction (m³/h) : 602
 Boost position output recirculating (m³/h) : 428.0
 Maximum output recirculating air (m³/h) : 362
 Boost position air extraction (m³/h) : 964
 Number of lights (Stck) : 3
 Noise level (dB(A) re 1 pW) : 64
 Diameter of air outlet (mm) : 120 / 150
 Grease filter material : Washable stainless steel
 EAN code : 4242003832011
 Connection rating (W) : 265
 Current (A) : 10
 Voltage (V) : 220-240
 Frequency (Hz) : 50; 60
 Plug type : GB plug
 Installation type : Wall-mounted

Optional accessories

LZ53451 : Standard odor filter (replacement) , LZ53450 : Standard recirculation kit , LZ50961 : Backboard 90 x 72 cm , LZ50960 : Backboard 90x65cm , LZ31XXB16 : Clean Air Plus odor filter (replacement) , LZ12FXD51 : Long Life recirculation kit external , LZ12CXC56 : Clean Air Plus recirc. kit external , LZ12365 : Chimney extension 1500 mm , LZ12265 : Chimney extension 1000 mm , LZ11CX116 : Clean Air Plus recirculation kit , LZ10FXJ05 : Long Life recirculation kit , LZ00XXP00 : Long Life odor filter (replacement)



4 242003 832011

iQ700, Wall-mounted cooker hood, 90 cm, Stainless steel LC91BUV50B

Features

Key performance features:

- Energy Efficiency Class: A+ (at a range of energy efficiency classes from A+++ to D)
- Extraction rate according to EN 61591 ø 15 cm:
- max. Normal use 601 m³/h
- Intensive 964 m³/h
- Noise max. Normal Level: Noise, max. speed in normal us: 64 dB dB*

Home Connect: Remote Monitoring and Control

- Home Connect: Remote Monitoring and Control for connected home appliances and operation via smartphone or tablet (only in countries where Home Connect service is available)
- The Home Connect functionality can be extended by integrating numerous applications from external cooperation partners (partnerships)
- Voice Control enabled via popular voice assistants (only in countries where this service is available)
- Interval function: available via Home Connect
- Silence function: available via Home Connect

Features

- climateControl sensor
- cookConnect hob based hood control
- touchControl with 7-segment display
- softLight with dimmer function
- 3 x 1.5W LED
- Fully automatic hood
- 3 power levels and 2 intensive settings
- Efficient BLDC motor
- Twin channel high performance fan motor
- Automatic after running (Automatic after running (10 minutes))
- Automatic intensive revert (6mins)
- Steel filter cover
- 3 x metal grease filter cassettes - dishwasher safe
- Grease and charcoal filter saturation indicators
- Additional noise reduction insulation

Design

- Chimney hood
- Stainless Steel
- For wall mounted installation
- Electronic control

Performance/technical information

- Suitable for ducted and re-circulating operation
- For recirculated extraction a recirculating kit or a CleanAir recirculation kit (accessory) is needed
- Max. extraction rate: 964 m³/h
- Noise level according to EN 60704-3 and EN 60704-2-13 exhaust air:
- Max. normal use: 64 dB(A) re 1 pW
- Intensive: 73 dB(A) re 1 pW
- With the Clean Air Plus recirculation kit (available as optional accessory) your appliances reaches:
- Extraction rate in recirculation mode:
- Max. normal use: 462 m³/h
- Intensive: 561 m³/h
- Noise level in recirculation mode:

- Max. normal use: 68 dB(A) re 1 pW
- Intensive: 72 dB(A) re 1 pW
- Power rating: 265 W
- Light Intensity: 374 lux
- Colour Temperature: 3500 K
- Electrical cable length 1.3 m
- Diameter pipe Ø 150 mm (Ø 120 mm enclosed)
- Dimensions exhaust air (HxWxD): 614-954 x 898 x 500 mm
- Dimensions recirculating, chimney (HxWxD): 614-1064 x 898 x 500 mm
-
- Blower Efficiency Class: A*
- Lighting Efficiency Class: A*
- Grease Filtering Efficiency Class: B*
- Average Energy Consumption: 33.9 kWh/year*

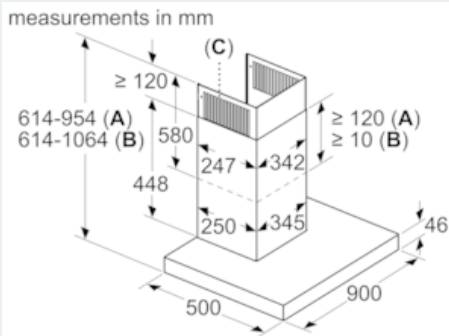
Optional accessories

- Recirculating kit LZ00XXP00

* In accordance with the EU-Regulation No 65/2014

iQ700, Wall-mounted cooker hood, 90 cm, Stainless steel LC91BUV50B

Dimensioned drawings



A: Air extraction
B: Air recirculation
C: Air outlet – slots for exhaust air to be mounted facing down

