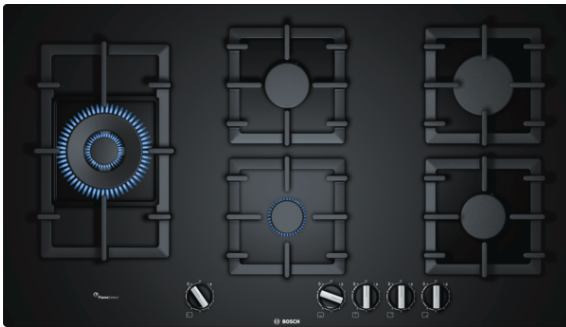


**Serie | 6, Gas hob, 90 cm, Tempered glass
PPS9A6B90**



The tempered-glass gas hob with FlameSelect: achieve perfect cooking results thanks to nine precisely defined power levels.

- **FlameSelect:** for a precise adjustment of the flame in nine defined levels.
- **Wok burner:** powerful cooking at up to 4 kW.
- **Standard and semi-flush built-in option:** choose between flush or surface mounted installation.
- **Semi-continuous cast-iron pan support:** for high stability and easy cleaning.
- **Biomethane ready:** Your gas hob can also be powered with renewable biomethane gas.

Technical Data

| | |
|---|-------------------------------|
| Product name/family : | gas hob w integrated controls |
| Construction type : | Built-in |
| Energy input : | Gas |
| Total number of positions that can be used at the same time : | 5 |
| Type of control setting devices : | sword knobs |
| Required niche size for installation (HxWxD) : | 45 x 850-852 x 490-502 |
| Width of the appliance : | 915 |
| Dimensions : | 45 x 915 x 520 |
| Dimensions of the packed product (HxWxD) (mm) : | 165 x 1116 x 659 |
| Net weight (kg) : | 21.863 |
| Gross weight (kg) : | 24.0 |
| Residual heat indicator : | without |
| Location of control panel : | Hob front |
| Basic surface material : | Tempered glass |
| Color of surface : | Black |
| Color of frame : | Black |
| Approval certificates : | CE |
| Length of electrical supply cord (cm) : | 150 |
| EAN code : | 4242002915067 |
| Electrical connection rating (W) : | 1 |
| Gas connection rating (W) : | 11500 |
| Current (A) : | 3 |
| Voltage (V) : | 220-240 |
| Frequency (Hz) : | 60; 50 |



Serie | 6, Gas hob, 90 cm, Tempered glass PPS9A6B90

The tempered-glass gas hob with FlameSelect: achieve perfect cooking results thanks to nine precisely defined power levels.

ordered via the customer service. For nozzle change, please contact the customer service.

- Dimensions of the product (HxWxD mm): 58 x 915 x 520
- Required niche size for installation (HxWxD mm) : 45 x 850 x (490 - 502)
- Min. worktop thickness: 30 mm
- Power cord: 1.5 m
- Connected load: 11.5 KW

Design

- Tempered glass surface, Black
- frameless design: install the hob either flush or slightly raised on the worktop
- Cast iron pan supports with rubber feet

Usage convenience

- FlameSelect: precisely control and adjust the flame in nine defined levels.
- Design co-ordinated control dials: easily access dials in front with strong grip for effortless turning.
- Ignition via control dials: just push and turn the dials to ignite the flame.

Burners and power

- 5 gas burners:
- Left: wok burner up to 4 KW (depending on gas type)
- Center front: economy burner up to 1 KW (depending on gas type)
- Center rear: standard burner up to 1.75 KW (depending on gas type)
- Right rear: high-speed burner up to 3 KW (depending on gas type)
- Right front: standard burner up to 1.75 KW (depending on gas type)

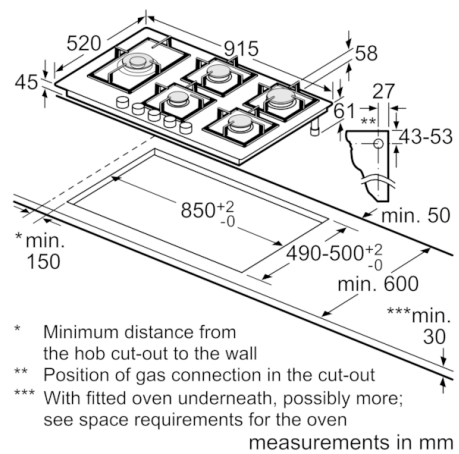
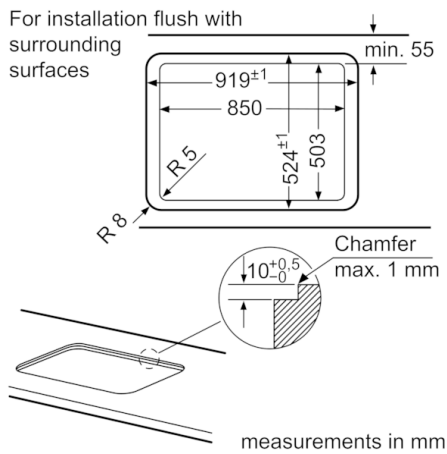
Safety

- Flame failure safety device: prevents unwanted gas flow when flame goes out.

Installation (gas types & measurements)

- Usable for: Nat gas L/LL G25/20mbar(DE)
NG H/E 20mbar, E+ 20/25mbar
Natural gas H 25 mbar (HU)
Natural gas L 25 mbar (NL)
Liquid gas G30,31 28-30/37mbar
Liquid gas G30 37 mbar (PL)
Liquid gas 50 mbar
- Pre-set for natural gas
- Nozzle set for LPG jets included. Connection to 28-30/37 mbar bottled gas. Nozzles for all other gas types can be

Serie | 6, Gas hob, 90 cm, Tempered glass PPS9A6B90



- * Minimum distance from the hob cut-out to the wall
- ** Position of gas connection in the cut-out
- *** With fitted oven underneath, possibly more; see space requirements for the oven