

**Serie | 6, Canopy cooker hood, 70 cm,
Stainless steel
DHL785CGB**



Optional accessories

DHZ5316 : Standard odor filter (replacement)
 DHZ5605 : Standard recirculation kit
 DWZ0IT0P0 :
 DWZ1IT1D1 : Long Life recirculation kit external
 DWZ1IX1B6 : Clean Air Plus odor filter (replacement)
 DWZ1IX1C6 : Clean Air Plus recirc. kit external

Canopy cooker hoods are designed to be fully integrated for more flexibility when planning your kitchen.

- **LED Illumination:** The energy-saving lighting provides bright and clear lighting for the hob area.
- **Intensive speed setting:** removes strong kitchen odours quickly and effectively.
- An impressive extraction rate of m3/h ensures this hood will have your kitchen odour free in no time.
- **Intensive speed setting with reset:** automatically resets the hood to normal speed setting
- Dishwasher safe aluminum mesh filters

Technical Data

| | |
|---|-------------------------|
| Typology : | Traditional |
| Approval certificates : | CE, VDE |
| Length of electrical supply cord (cm) : | 150 |
| Required niche size for installation (HxWxD) : | 418mm x 676.0mm x 264mm |
| Minimum distance above an electric hob : | 500 |
| Minimum distance above a gas hob : | 650 |
| Net weight (kg) : | 9.063 |
| Type of control : | Electronic |
| Maximum output air extraction (m3/h) : | 630 |
| Boost position output recirculating (m3/h) : | 310.0 |
| Maximum output recirculating air (m3/h) : | 300 |
| Boost position air extraction (m ³ /h) : | 730 |
| Number of lights (Stck) : | 2 |
| Noise level (dB(A) re 1 pW) : | 66 |
| Diameter of air outlet (mm) : | 120 / 150 |
| Grease filter material : | Washable aluminium |
| EAN code : | 4242002831206 |
| Connection rating (W) : | 277 |
| Current (A) : | 3 |
| Voltage (V) : | 220-240 |
| Frequency (Hz) : | 50 |
| Plug type : | GB plug |
| Installation type : | Built-in |



Serie | 6, Canopy cooker hood, 70 cm, Stainless steel DHL785CGB

Canopy cooker hoods are designed to be fully integrated for more flexibility when planning your kitchen.

Key Information

- Energy Efficiency Class: C (at a range of energy efficiency classes from A+++ to D)
- Extraction rate exhaust air according to EN 61591: max. normal use 630 m³/h, intensive 730 m³/h
- Noise max. Normal Level: Noise, max. speed in normal us: 66 dB dB*

Features

- Soft touch button control with Electronic display
- 3 power levels & intensive setting
- Automatic intensive revert (6mins)
- 2 x 1W LED
- 2 removable metal grease filter cassettes
- Filter cover stainless steel, Removable metal grease filters

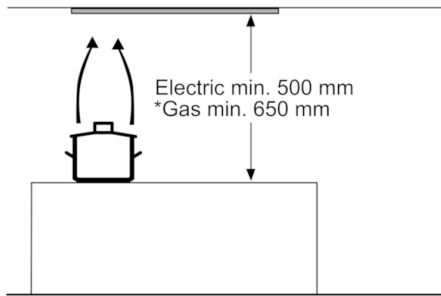
Design

- For installation in a kitchen cabinet
- Brushed steel
- 70 cm wide
- Rim ventilation

Performance/technical information

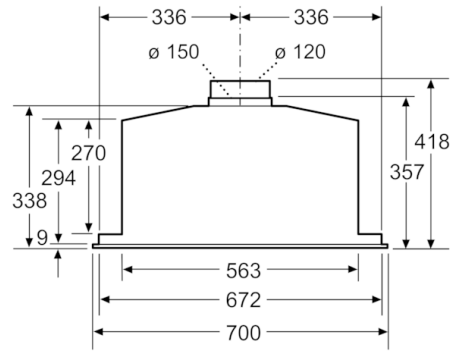
- Suitable for ducted or recirculating operation
 - For recirculated extraction recirculating kit or CleanAir recirculating kit (accessory) needed
 - Extraction rate according to EN 61591 ø 15 cm:
max. Normal use 630 m³/h
Intensive 730 m³/h
 - Noise level according to EN 60704-3 and EN 60704-2-13 exhaust air:
Max. normal use: 66 dB(A) re 1 pW
Intensive: 69 dB(A) re 1 pW
 - With the Clean Air Plus recirculation kit (available as optional accessory) your appliances reaches:
Extraction rate in recirculation mode:
Max. normal use: 571 m³/h
Intensive: 664 m³/h
Noise level in recirculation mode:
Max. normal use: 72 dB(A) re 1 pW
Intensive: 75 dB(A) re 1 pW
 - Power rating: 277 W
 - Light Intensity: 244 lux
 - Colour Temperature: 4000 K
 - Blower Efficiency Class: C*
 - Lighting Efficiency Class: A*
 - Grease Filtering Efficiency Class: D*
 - Average Energy Consumption: 104.2 kWh/year*
 - Diameter pipe ø 150 mm (ø 120 mm enclosed)
 - Dimensions exhaust air (HxWxD): 418-418 x 700 x 300 mm
 - Dimensions recirculating (HxWxD): 418-418 x 700 x 300 mm
- * In accordance with the EU-Regulation No 65/2014

**Serie | 6, Canopy cooker hood, 70 cm,
Stainless steel
DHL785CGB**

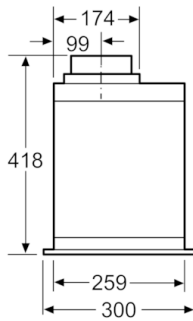


* from upper edge of pan support

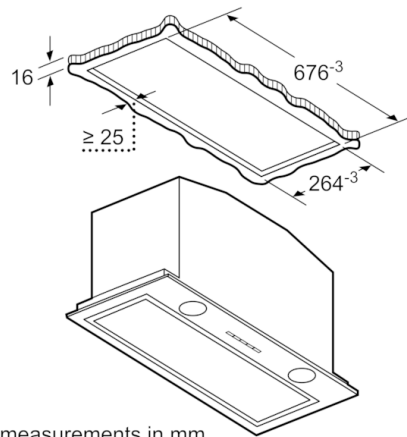
measurements in mm



measurements in mm



measurements in mm



measurements in mm